



Decotrend  
4 trend decors

## DECOTREND



### ▶ TREND EFFECT DECORATIVE PROTECTION PANEL

#### Applications

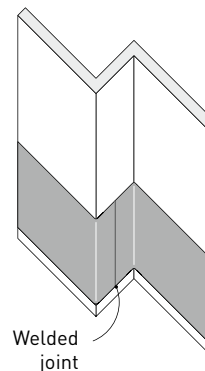
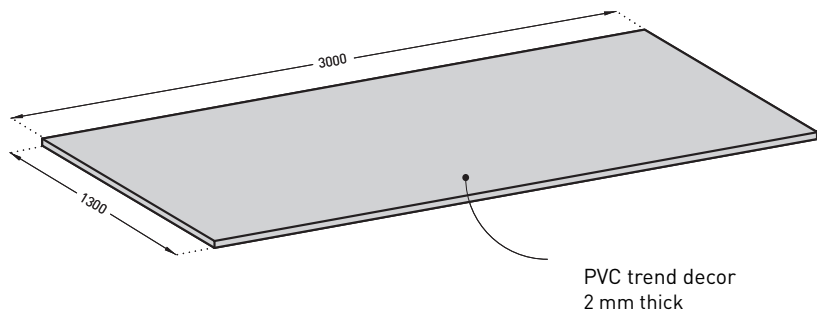
This range of panels uplifts and highlights interiors in an original manner and fits into a modern and urban design. Their high degree of strength is useful for covering walls of bedrooms, reception areas and dining areas in hotels, retirement homes, schools or any form of establishment open to the public.

#### Description

- Model: Decotrend decorative protection panel (Composite or Brushed Aluminium)
- Standard panel dimensions: 3 m x 1.30 m
- Thickness: 2 mm
- Material: trend decor Bs2d0 fire-rated PVC
- Surface finish: metalized or concrete effect
- Fixing: Adhesive bonding with Gerflor acrylic glue or Gerflor universal mastic glue. Joints between panels can be made using silicone joints or PVC weld beads colour matched to the range.
- Colours: 4 standard decors

#### Specification

- Description: trend effect decorative protection panel (Decotrend as manufactured by Gerflor - Composite or Brushed Aluminium or Concrete). Impact and scratch resistant from rigid metalized or concrete effect PVC Bs2d0 fire-rated. Its length is 3 m, width 1.3 m and thickness 2 mm.
- Environment: No heavy metals and no substance potentially subjected to any REACH restriction are used in its manufacture, nor PBT/PBA. The calcium-zinc thermal stabilisation process is used. The emission level of volatile substance in inside air has been tested according to ISO 16000-6 and is very low (A+) according to the french regulation (23 march 2011 nr 2011-321 Decree and 19 April 2011 Order). 100% of the product are recyclable.
- Colour: selected by architects from manufacturer's standard range.
- Installation method: Glue as per manufacturer's intructions.



Find out more about technical solutions at the end of the guide.

To find the colours available for each product, please see the summary table for the range at the end of this Guide.